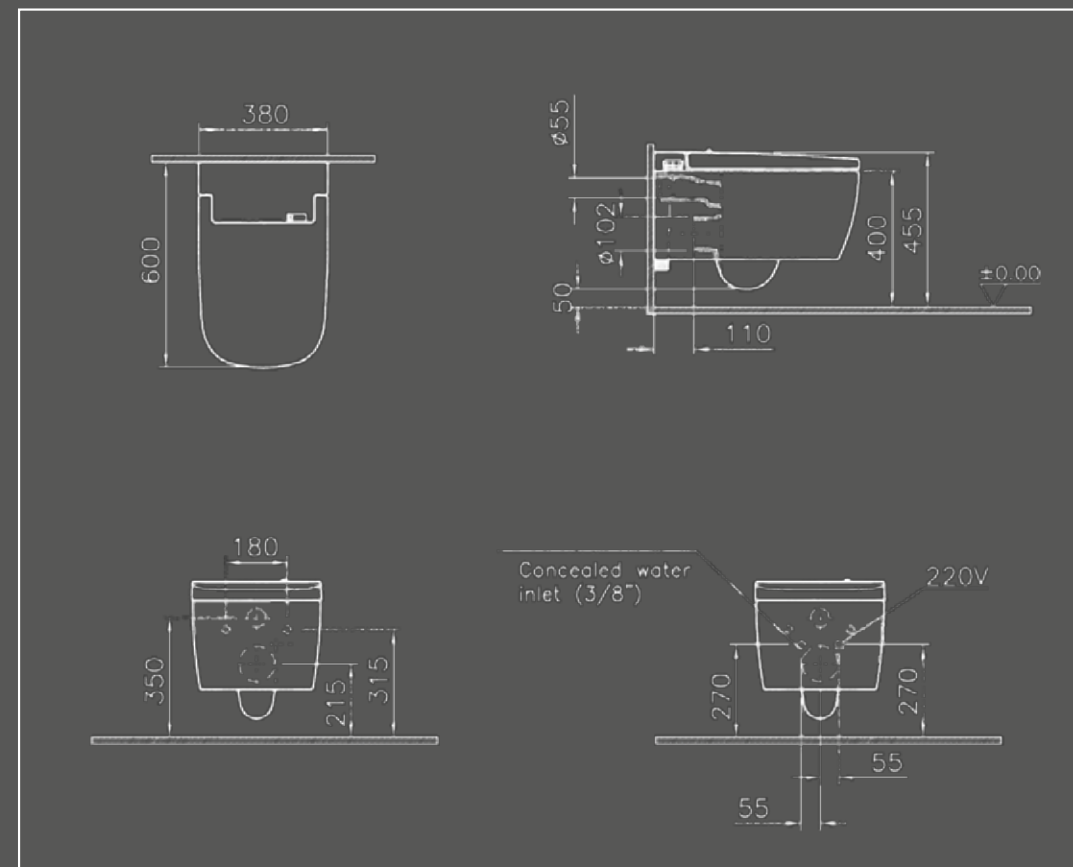


# TECHNICAL & INSTALLATION



## TECHNICAL AND INSTALLATION

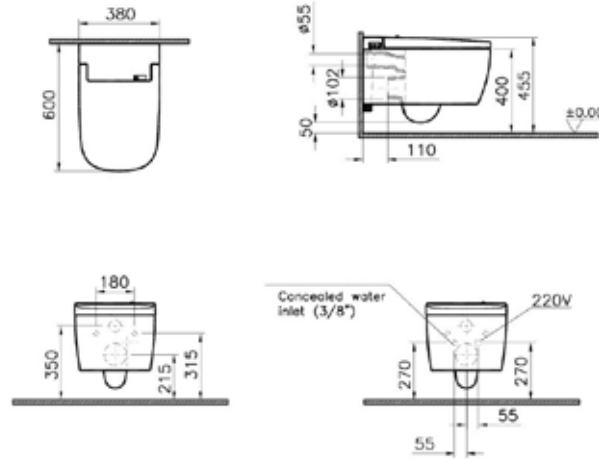
### PRODUCT CODE:

5674B003-6103 Essential

5674B003-6104 Comfort

### PRODUCT DESCRIPTION:

V-care WC (including toilet seat)



### HOW DO YOU INSTALL A V-CARE WC?

To install a V-care WC you need additional water and electrical connections but the WC is designed to conceal these connections so they are not visible.

Installation should take the same time as a conventional wall-hung WC but additional checks and testing will be required once installed.

### CAN I INSTALL V-CARE IN PLACE OF AN EXISTING WC?

You can replace your conventional WC with V-care but you will need additional electrical and water connections. Vitra offer a range of wall-hung WC concealed frames specifically designed to make installation easy.

### CAN I INSTALL V-CARE INTO FITTED FURNITURE?

Yes, V-care can be installed with fitted furniture as long as a suitable frame is used.

### HOW DO YOU TEST THE NOZZLE DURING INSTALLATION?

During installation you can activate the nozzle by simultaneously pressing the rear and front washing buttons for three seconds either on the remote or with the buttons on the side of the WC.

### HOW MUCH WATER IS USED PER FLUSH?

V-care WC pan uses 3/6 litres of water per flush.

## SAFETY

### HOW SAFE IS THE V-CARE IN REGARDS TO ELECTRICAL AND WATER USE?

V-care is very safe to use, there is no danger of electrical parts coming into contact with water as it is insulated to IPX4 standards. Electronic circuits are insulated to IP67 standards.

### WHAT SAFETY STANDARDS DOES V-CARE CONFORM TO?

V-care conforms to the following global and European standards: BS EN1717, BS EN13079, CE, DVGW, KIWA, ETA, SINTEF, SITAC, W270 and KTW.

### HOW MUCH WEIGHT CAN THE V-CARE WC CARRY?

max. 400kg (880lbs)

### WHAT IS V-CARE MADE OF?

WC: vitreous china

Nozzle: stainless steel

Remote control: ABS

Seat, seat cover and base unit: thermal plastic

## USAGE

### CAN I STILL USE THE V-CARE WC IF THERE IS NO POWER?

During a power cut you can still use the V-care WC like a conventional WC, activating the flush via the flush plate and manually opening and closing the seat.

### WHAT HAPPENS IF THE ELECTRICITY GOES OUT DURING USE?

If the electricity supply fails during use, water streaming, heating, air purification and the auto open/close seat will stop immediately. If the nozzle is in use it will remain in the same position but the water will stop. Once the electricity is restored you will need to press the stop button to reset the nozzle.

### CAN I OPEN AND CLOSE THE SEAT MANUALLY?

Yes, you can either open or close the seat manually or via the remote control (Comfort model only).

### DO I HAVE TO USE THE REMOTE CONTROL?

You can access basic functions from the side of the WC such as front and rear cleaning but the remote control enables you to fully utilise all of the features of V-care for optimum comfort.

### WILL V-CARE WORK IF NO ONE IS SITTING ON IT?

Except for the open/close mechanism no other functions of the V-care will work unless someone is sitting on the WC.

### HOW LONG DOES EACH FUNCTION LAST PER USE?

The rear and front cleansing function lasts for approximately 40 seconds. The drying function (Comfort model only) lasts for approximately 3 minutes. Depending on user preference, all functions can be stopped at any time by pressing the stop button on the remote control (or on the left hand side of the WC) or by simply leaving the seat.

### WHAT TYPE OF BATTERY DOES THE REMOTE CONTROL REQUIRE?

Three AAA batteries. With average use, new batteries should last approximately six months.

### IS V-CARE SUITABLE FOR EVERYONE?

The V-care WC is suitable for both sexes and is especially beneficial for pregnant women, those less able or people who suffer from intimate skin irritations.

## CARE AND MAINTENANCE

### IS THE V-CARE WC DIFFICULT TO CLEAN?

V-care is easier to clean than a conventional WC as it has a rimless pan (Rim-ex). V-care is also wall-hung making it easy to clean underneath.

### WHAT SHOULD I USE TO CLEAN V-CARE?

We recommend using conventional scratch free, non-corrosive cleaning detergents to clean the WC and soft cleaning wipes or a cloth to clean the seat.

### CAN I REMOVE THE NOZZLE?

The tip of the nozzle can be removed and cleaned if desired but the nozzle is automatically cleaned before and after every use.

### WHEN SHOULD I CHANGE THE AIR PURIFYING FILTER?

The filter is designed to be detachable so you can replace it and prevent dust accumulating. We recommend you change the filter every two years.

### WHAT HAPPENS IF IT MALFUNCTIONS DURING USE?

If a problem occurs during use press the stop button on the side panel. If the problem still persists press the main on/off button.

### IS THE WC SEAT REMOVABLE?

You can remove the seat cover but the V-care seat is fixed onto the WC.

### WHAT IF THE REMOTE CONTROL DOESN'T WORK OR I DROP IT INTO WATER?

Remove batteries, dry the remote control with a towel or similar. Place the remote control in a cup filled with dry rice (to absorb humidity), after two hours replace the batteries. If this does not solve the problem please contact the retailer where you bought the item and they can arrange for a replacement remote control to be provided.

## SETTINGS

SETTINGS							
FEATURE	OFF	1	2	3	4	5	VARIANCE
SEAT TEMPERATURE	-	32°C	34°C	36°C	38°C	40°C	+/-2°C
WATER TEMPERATURE	-	32°C	34°C	36°C	38°C	40°C	+/-2°C
DRYER TEMPERATURE	-	15°C	20°C	25°C	30°C	35°C	+/-3°C
AVERAGE WATER CONSUMPTION (per 40 sec)	-	270ml	312ml	354ml	417ml	480ml	+/-80ml

Max/min temperatures per function:

	MIN VALUE	MAX VALUE	DEFAULT VALUE	POWER SAVER MODE
SEAT TEMPERATURE	30°C	42°C	36°C	24°C
WATER TEMPERATURE	30°C	42°C	36°C	24°C
DRYER TEMPERATURE	15°C	37°C	25°C	24°C

VitrA UK Ltd, Park 34, Collett,  
Didcot, Oxon, OX11 7WB  
+44 (0) 1235 750 990  
info@vitra.co.uk  
vitra.co.uk